

CABLE REEL

TCR - TM TYPE



T.H. ELEMA ENG. CO., LTD.

TEL : +82-31-498-9270-4
FAX : +82-31-498-9275

1.

2. CABLE REEL

2.1

2.2 REEL DRUM

2.3 MOTOR

2.4 REELING CABLE

3.

4.

4.1

4.2 TORQUE MOTOR

4.3 SLIP RING & BRUSH

5.

5.1 TORQUE

5.2 BRAKE

6.

7. SEQUENCE DIAGRAM & CONTROL PANEL

8. BRAKE OPERATION MANUAL

1.

1.1

Cable	Torque Motor	Torque Motor
Reel	.	Cable
가	Cable	
Brake가	가	Slip
Cable		.

1.2

- 1). Cable Reel Gas, , Hose
Reel .
- 2). Torque 가 .
- 3). Torque Motor Type
- 4). 2 Point, 4 Point .

2. CABLE REEL

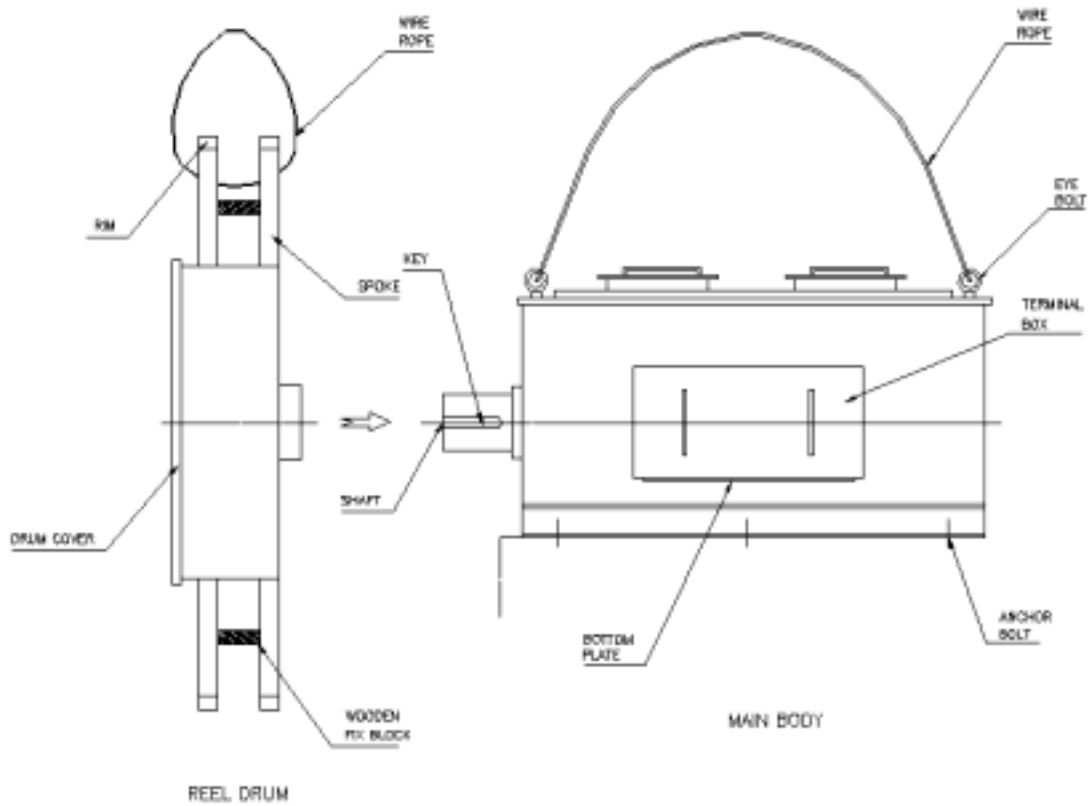
Torque Motor Type Cable Reel Reel Drum, Motor, Reducer, Brake
 Slip Ring Guide Roller, Center Position Device, Junction
 Box

2.1

- 1) Box Eye Bolt Rope
- 2) Base Plate Box Anchor Bolt Hole Bolt, Nut Taper
 Washer Box
- 3) Box Cover , Brush, Brake, Wiring, Chain
- 4) Oil ,
- 5) Box Reel Drum Lock Nut End Plate

2.2 REEL DRUM

- 1) Reel Drum Cover Boss
- 2) Reel Drum Rim Rope Reel Drum Shaft
- 3) Shaft End Plate Lock Washer, Lock Nut



1.

2.3 MOTOR

- 1) Box Terminal Box Cover , Terminal Box Plate
- 2) Plate Connector (Gland) Hole 가
- 3) Plate Hole Terminal Block
- 4) Cable Connector (Gland)
- 5) 가 Hook가 Reel Drum
3 2
- 6) Sequence Reel
- 7) Reel Drum Spoke Block
- 8) Brake

2. 4 REELING CABLE

2. 4. 1 REELING DRUM

Reeling Cable Reel Drum Cable (Square x Core, ,
) Drum , Reel Drum Dead Turn,
 , , Center Position Device Junction Box
 Cable .

1) Cable Guide Roller , Reel Drum Cable Gland

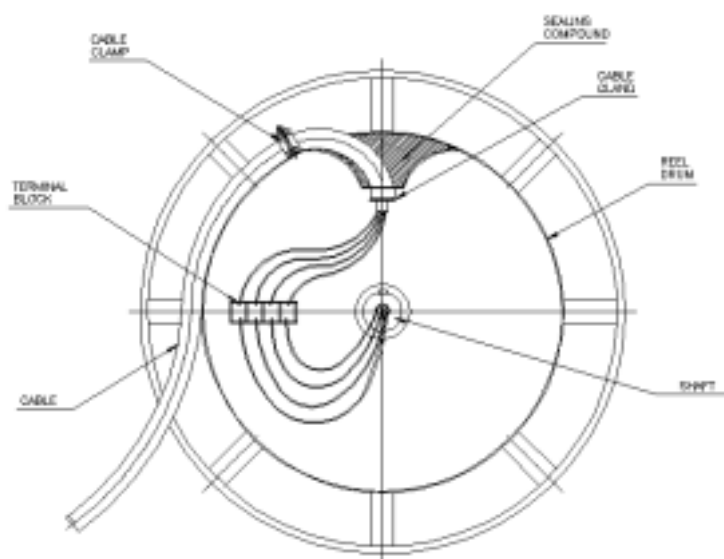
2) Reel Drum Cable .

3) Guide Roller Roller Cable Cable Gland Male
 Gland Reel Drum Female Gland . Cable
 Sealing Compound Sealing .

4) Drum Cable Clamp Bar , Cable Clamp
 (2-3mm) Cable 2-3 , Cable Clamp Bar

5) Drum Terminal Block Cable .

6) Drum Cover .



2. Reeling Cable

2. 4. 2 CABLE

- 1) Device Drum Cable 2-4-1, 4) Center Position Cable
Clamp .
- 2) Junction Box Cover , Cable Gland Junction Box
- 3) Junction Box Cable Gland
. Junction Box Terminal Block
Cover .

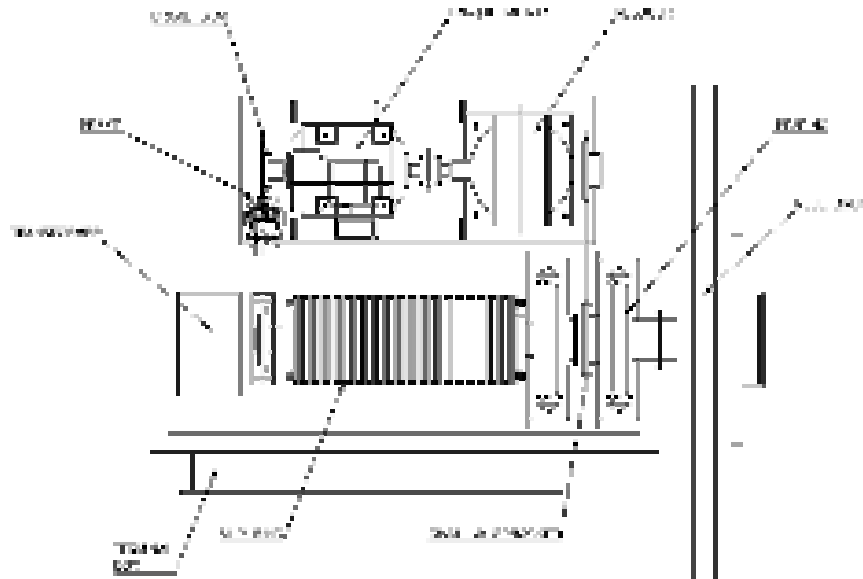
3.

- 1) Switch .
- 2) (Hoisting) Reel Drum
Jog Operation .
- 3) Reel Drum Cable , 가
- 4) Cable Cable
Motor Torque .
Motor Torque [] .
- 5) Cable 가 가 Cable
Motor 가
Off Timer Cable .

4.

4.1

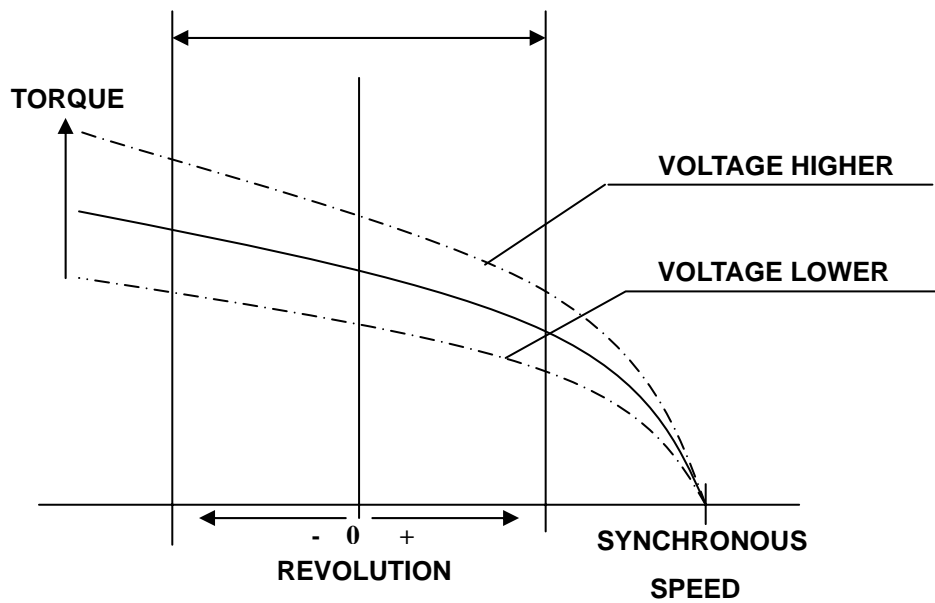
- | | | | | |
|----------|--------------|-----------|------------------|-------|
| 1) Box | Terminal Box | | Transformer | Cable |
| | | Voltage | Torque Motor | . |
| 2) Motor | Reducer | | Chain & Sprocket | . |
| 3) Shaft | Slip Ring | | Shaft | . |
| 4) Motor | Brake | Reel Drum | (Braking) | , |
| | Cable | | | . |



3.

4.2 TORQUE MOTOR

1) Cable Reel Torque Motor Torque
 Cable Motor가 T-N

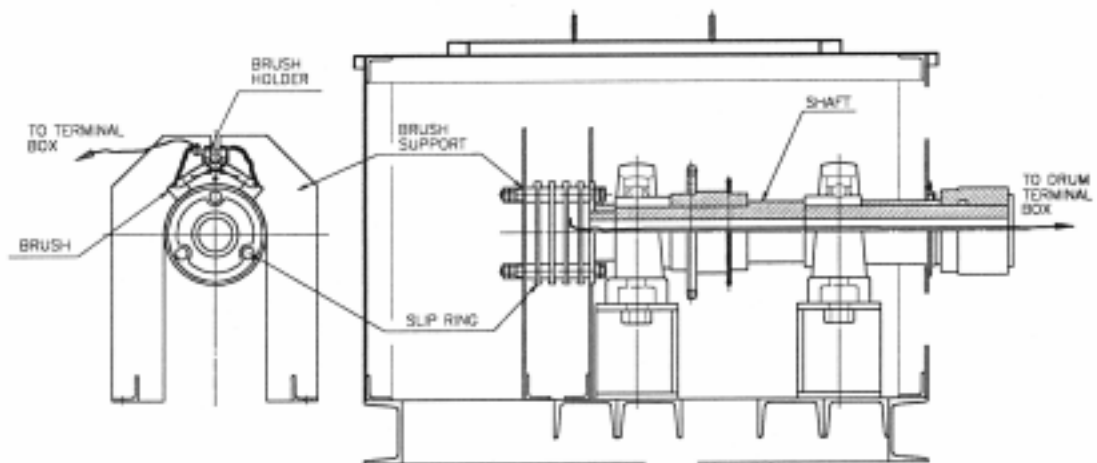


4.

2) Torque Motor Torque
 Motor Torque Motor
 Cable Reel
 Cable
 3) Reel Drum Cable
 Drum

4.3 SLIP RING & BRUSH

- 1) Cable Hollow Shaft Reel Drum Slip Ring Box
- 2) Slip Ring Reducer Shaft Coupler Slip Ring Reel Drum
- 3) Slip Ring , Slip Ring Brush
 Terminal Box Terminal Block



5. Slip Ring and Brush

5.

5.1 Torque

Torque Motor Motor Voltage Torque가 .
 Box Transformer Secondary Voltage
 Torque .
 Cable Reel Secondary Voltage ,
 Voltage Voltage Voltage가 Torque
 .
 Torque Fan Motor Voltage .

- 1) Cable Voltage Tap ,
 Voltage Tap Torque Motor 3
- 2) Voltage Reel

5.2 BRAKE

Brake Operation Manual .

6.

6.1

- 1) 가 .
- 2) Bearing Shield Type Ball Bearing ,
가 .
- 3) Shaft Bearing Case Grease Nipple Grease

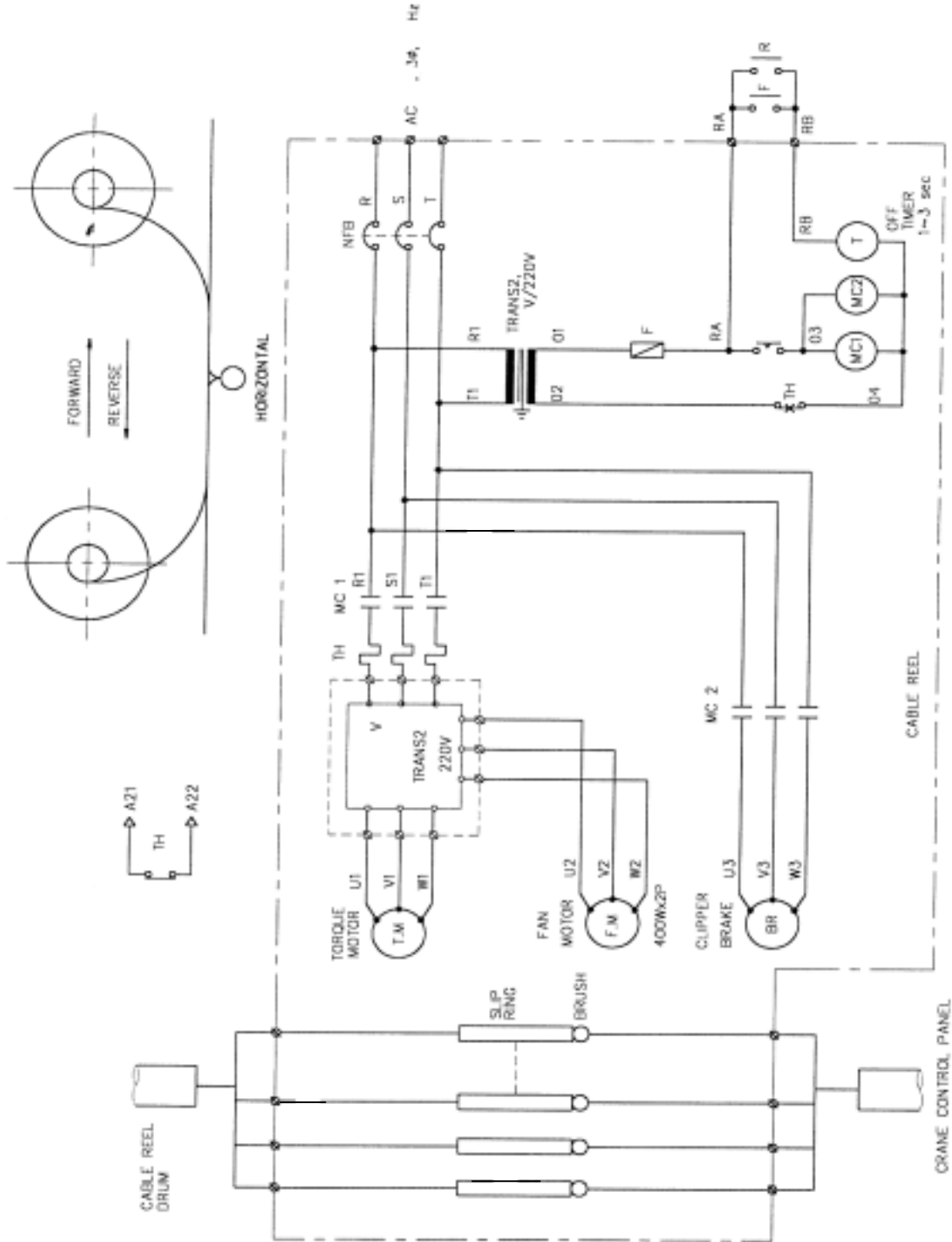
6.2

No			
1	Slip Ring		Sand Paper
2	Brush		
3	Brush holder Spring Tension		Tension
4	Brush		
5	Slip Ring Box Reel Drum		Cover Packing Bolt Cable Connector
6	Brake Lining		(Brake Manual)
7	Brake Gap		

LUBRICATION TABLE

No	Lubrication item	Product	Maker	Remarks
1	Chain & Sprocket	Omala #150	Shell	
2	Shaft & Bearing	Alvania G2	Shell	
3	Reducer	Omala #150 ~ #220	Shell	

7. SEQUENCE DIAGRAM & CONTROL PANEL



6.

8. BRAKE OPERATION MANUAL