

CABLE REEL

TCR - RH TYPE

TCR - RV TYPE



T.H. ELEMA ENG. CO., LTD.

TEL : +82-31-498-9270-4

FAX : +82-31-498-9275

1.

2. CABLE REEL

2.1

2.2 GUIDE ROLLER

2.3 REELING CABLE

2.4 SLIP RING

3.

4.

4.1 CABLE REEL

4.2 SLIP RING BOX

5.

5.1

5.2 SPRING

5.3 CARBON BRUSH

6.

1.

1.1

Cable Cable Reel
 가 Cable
 Cable Drum , 가 Cable
 Drum Cable Cable

1.2

- 1)
- 2) 가 가
- 3) 가 가
- 4) 가

2. CABLE REEL

Spring Type Cable Reel Reel Drum, Slip Ring, Spring case가

2.1

- 1) Cable Reel Slip Ring Box Eye Bolt Rope
- 2) Base Plate Slip Ring Box Cable Center Line Level
 Anchor Bolt Hole Bolt, Nut Spring Washer Slip Ring
 Box
- 3) Slip Ring Box Cover , Slip Ring Brush, Wiring

2.2 CABLE GUIDE ROLLER

Guide Roller Drum Drum

2.3 REELING CABLE

2.3.1 REELING DRUM

Reeling Cable Reel Drum Cable (Square x Core, ,
) Drum , Reel Drum Dead Turn, ,
 Junction Box Cable .

1) Cable Guide Roller , Reel Drum Cable Gland

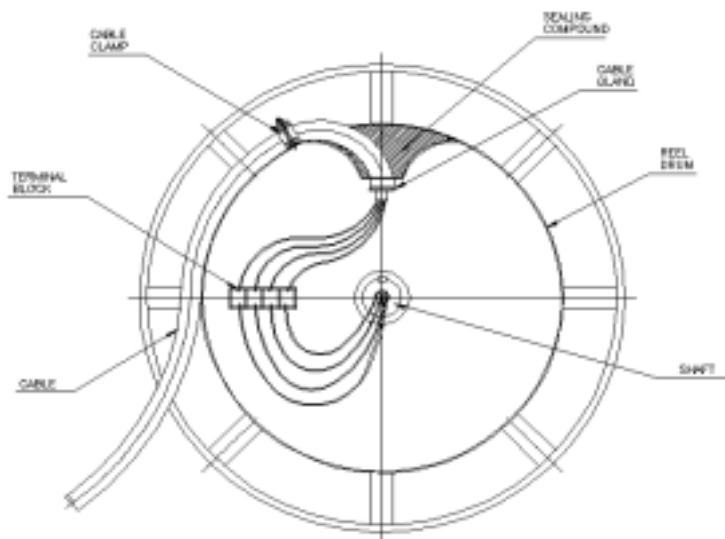
2) Reel Drum Cable

3) Guide Roller Roller Cable Cable Gland Male
 Gland Reel Drum Female Gland . Cable
 Sealing Compound Sealing .

4) Drum Cable Clamp Bar , Cable Clamp
 (2-3mm) Cable 2-3 , Cable Clamp Bar

5) Drum Terminal Block Cable

6) Drum Cover



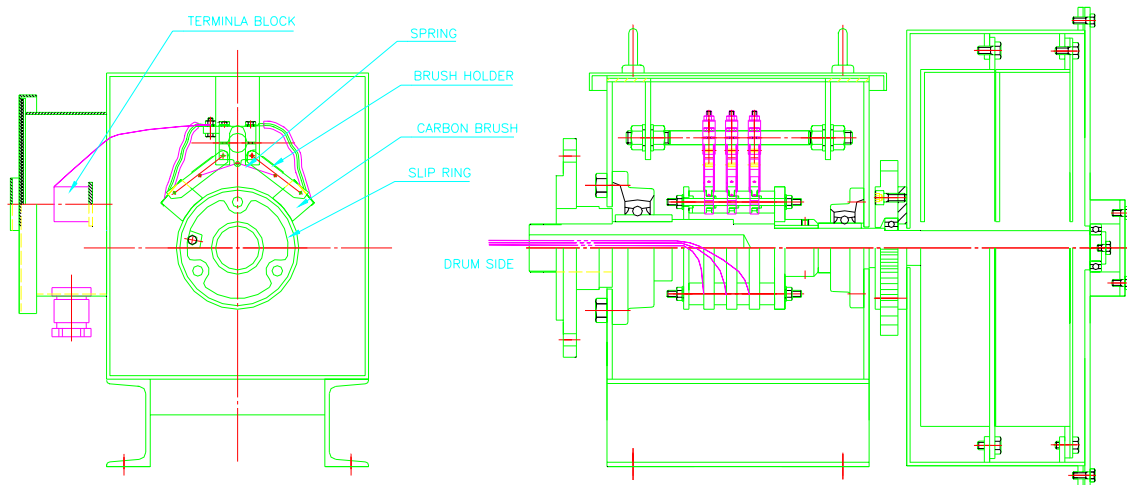
1. Reeling Cable

2.3.2 CABLE

- 1) Junction Box Cover , Cable Gland Junction Box
- 2) Junction Box Cable Gland
Junction Box Terminal Block
Cover

2.4 SLIP RING

- 1) Slip Ring Terminal Box Cover Bolt Box Cover
- 3) Cover Cable Connector Cable Cable Box
Cable Box
- 3) Cable Box 가 Cable
Connector
- 4) Terminal Box Terminal Block Cable



2. SLIP RING

3.

1) Switch .

2) (Hoisting) Reel Drum
Jog Operation .

3) Reel Drum Cable , 가

4) Reel Cable Cable
Cable .
“ 5.1 ” .

4.

4. 1 SPRING TYPE CABLE REEL

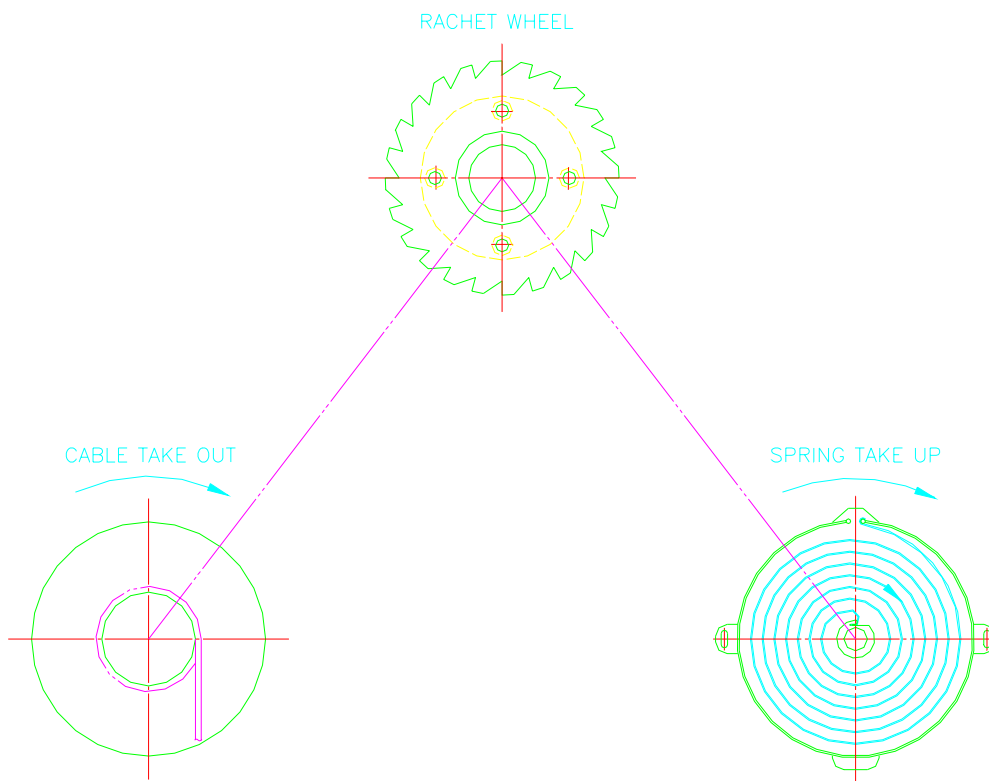
Cable Reel Drum, Slip Ring, Ratchet Wheel, Spring Case 4

1) Drum Cable

2) Slip Ring Cable Reel Drum Slip Ring, Carbon
Brush, Brush Holder

3) Ratchet Wheel Carbon Brush Cable Drum
가

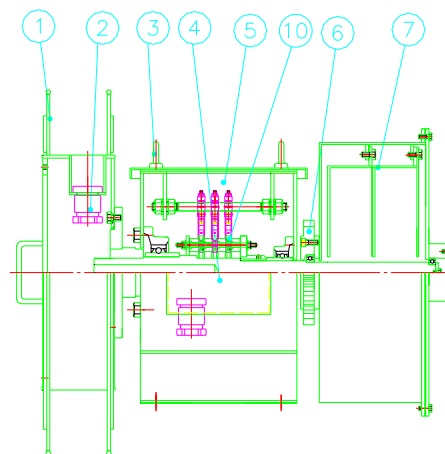
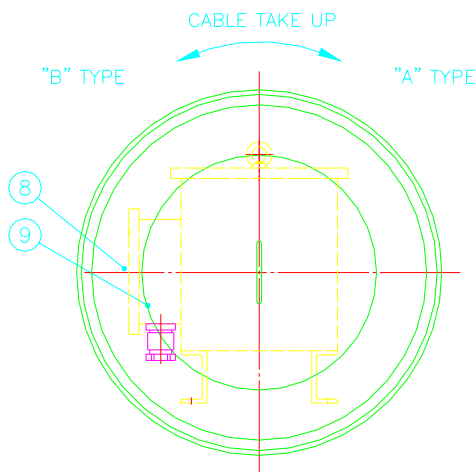
4) Spring Case Spiral Spring Cable Reel Spring
Spring Case Cable Spring
가 Spring , Cable Spring
Cable Reel



3.

4. 2 SLIP RING BOX

- 1) Drum Slip Ring, Brush Holder, Terminal Box가
- 2) Reel Drum Terminal Block Drum Slip Ring shaft
 (Hollow Shaft) Slip Ring
- 3) Slip Ring Brush가 Brush Holder Terminal Block
- 4) Reel Drum Terminal Block Reel Drum Slip Ring
 Brush



- 5. CASE
- 4. TERMINAL BLOCK
- 3. EYE BOLT
- 2. CABLE GLAND
- 1. DRUM

- 10. SLIP RING
- 9. TERMINAL BOX
- 8. NAME PLTE
- 7. SPRING CASE
- 6. RACHET WHEEL

4. Slip Ring Box

5.

5.1

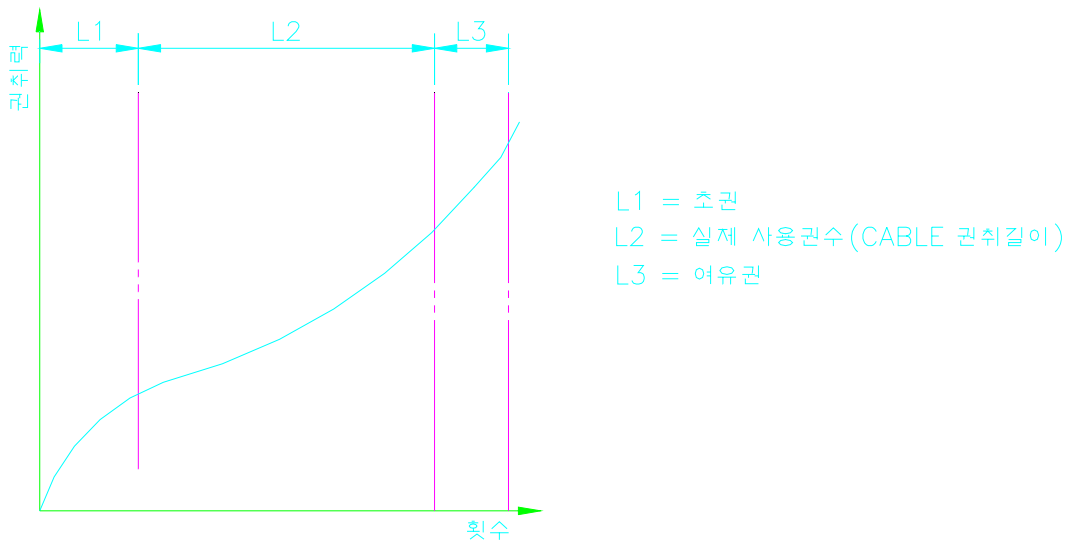
Drum 5 (L1) Cable Reel
(L2)

Drum Cable Cable
Drum Cable
1 Cable Spring Case
Spiral Spring

Cable Reel

Spiral Spring 가
가 Spiral Spring

Drum Spiral Spring
Cable 가



5.

5.2 SPIRAL SPRING

Spring “ ”

1) Spring

2) Cable Reel Cable Reel Shaft가
Box가

3) Spring Case Bearing Cover Bolt End Plate
, Spring Cover Bearing Cover . (Spring
Cover)

4) Spring Spring Spring Case

5) Drum Ratchet

6)

7) Spring Case

8) Spring Case Shaft Pin Coil Spring
Pin Coil Spring

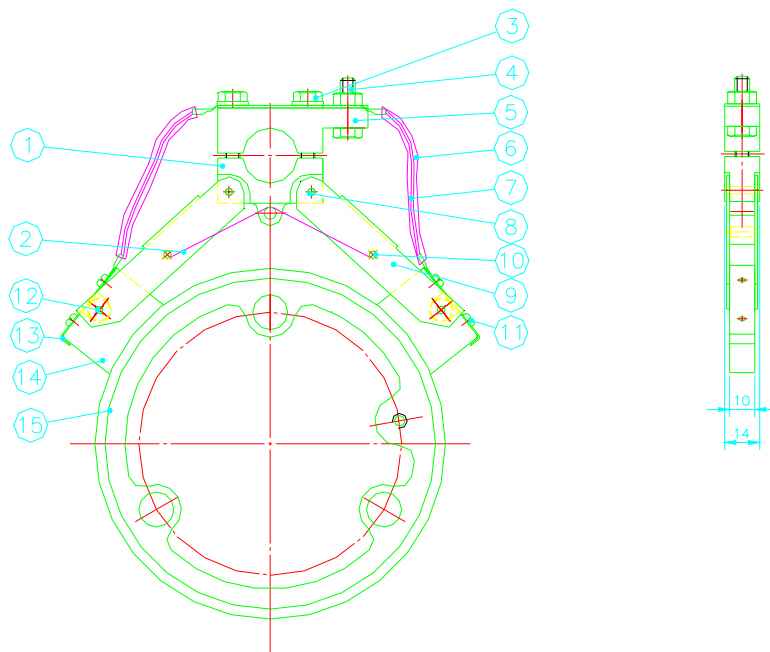
9) Spring , Spring
2 .]

10) Spring Spring

11) Spring
Drum , 가
Spring 가

5.3 CARBON BRUSH

- 1) Carbon Brush
- 2) Carbon Brush
Carbon Brush 가 2/3
- 3) Carbon Brush Carbon Brush
- 4) , Carbon Brush Slip Ring
가 Slip Ring
Slip Ring Carbon Brush
Slip Ring 가 가
Slip Ring (#120)
- 5) Carbon Brush Carbon Brush 가



- 5. HOLDER
- 4. BOLT
- 3. BOLT
- 2. SPRING
- 1. BRUSH HOLDER
- 10. PIN
- 9. CARBON HOLDER
- 8. RIVET
- 7. CABLE
- 6. SILICONE TUBE
- 15. SLIP RING
- 14. CARBON BRUSH
- 13. CARBON COVER
- 12. PIN
- 11. BOLT

5.

6

6.1

- 1) Bearing Shield Type Ball Bearing
가 .

6.2

No			
1	Slip Ring		Sand Paper
2	Brush		2/3
3	Brush holder Spring Tension		Tension
4	Brush		
5	Slip Ring Box		Cover Packing Bolt
	Reel Drum ,		Cable Connector .