

CABLE REEL

TCR - FM TYPE



T.H. ELEMA ENG. CO., LTD.

TEL : +82-31-498-9270-4

FAX : +82-31-498-9275

1.

2. CABLE REEL

2.1 REDUCER

2.2 REEL DRUM

2.3 MOTOR

2.4 REELING CABLE

2.5 SLIP RING

3.

4.

5. TORQUE

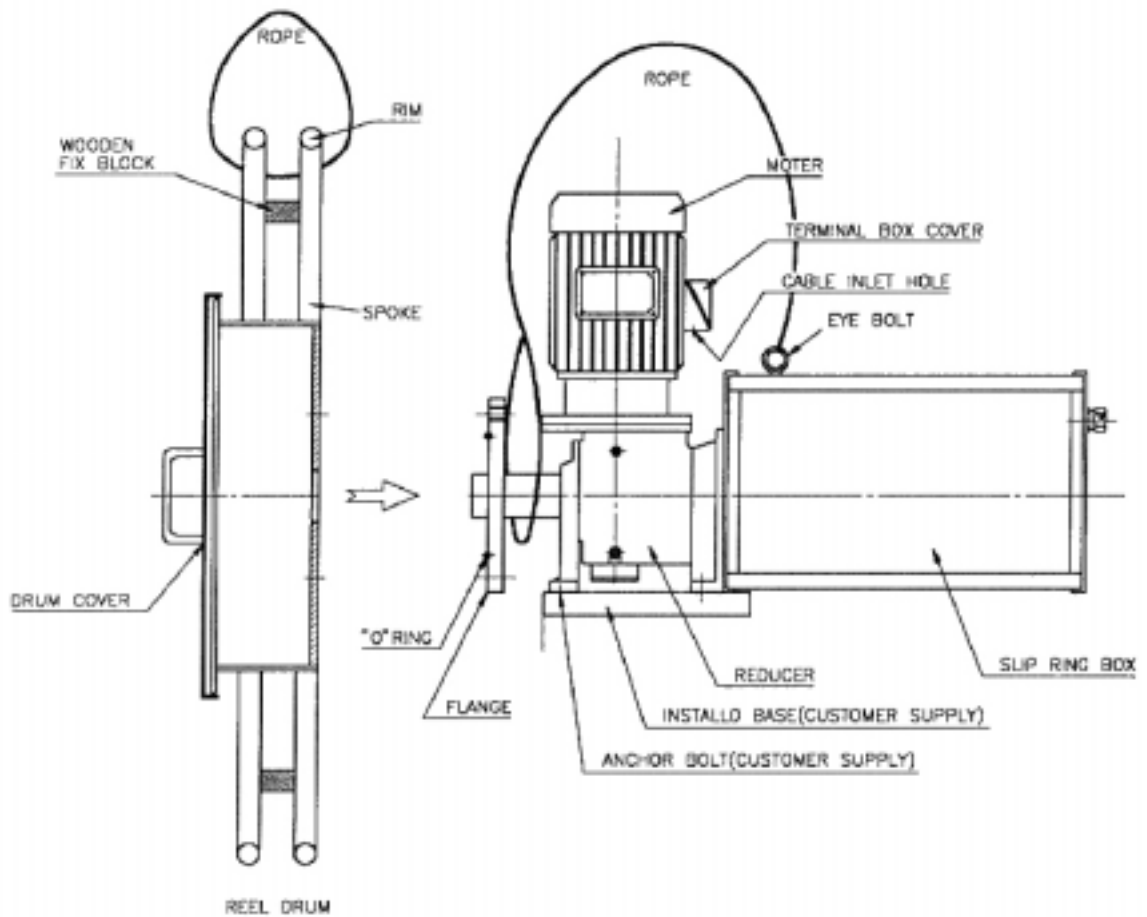
6.

7. DIMENSION OF REDUCER

8. SEQUENCE DIAGRAM & CONTROL PANEL

2. 2 REEL DRUM

- 1) Reel Drum Cover
- 2) Reel Drum Rim Rope , Crane Reel Drum
- Reducer Flange , Flange O-Ring
- Groove
- 3) Reel Drum Bolt Hole Flange Tap Hole Drum
- Bolt Spring Washer



1. Reel Drum

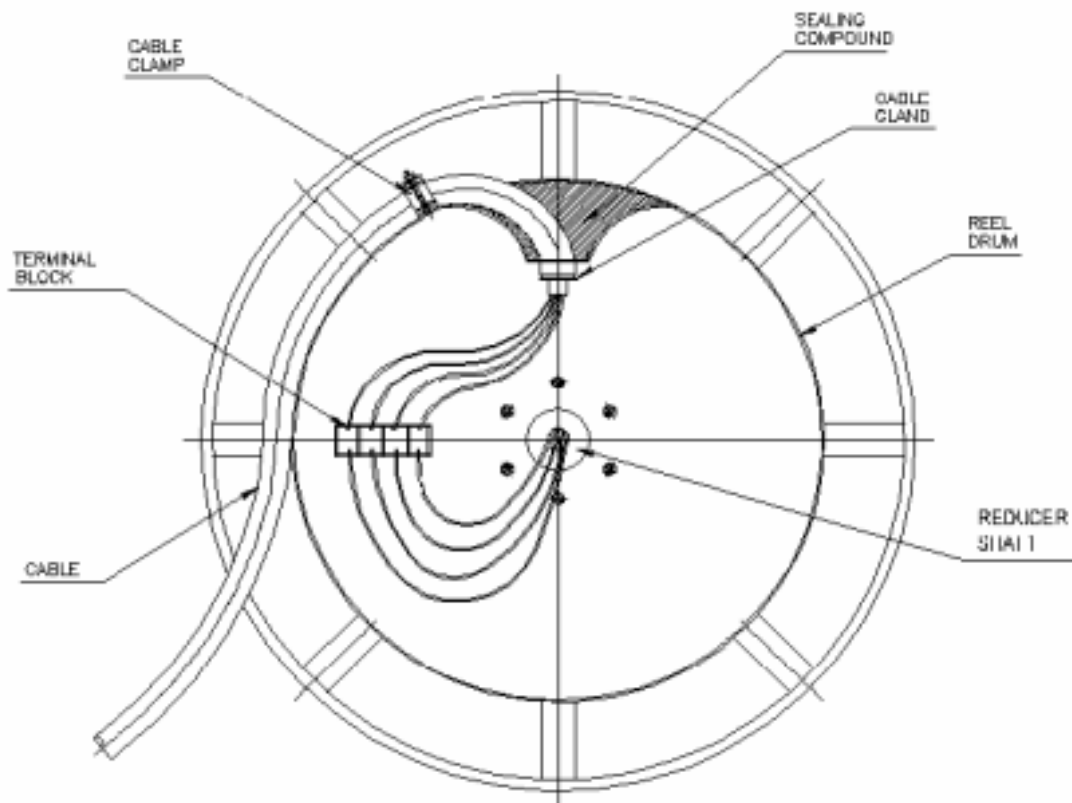
2. 3 MOTOR

- 1) Motor , , 가 Motor
- 2) Reducer Motor Terminal Box Cover
- 3) Tube Terminal Box Hole
Motor . Terminal Box Hole(PF 3/4")
Cable Gland(Connector)
- 4) Hook 가 Reel Drum
3 2
- 5) Sequence Reel
- 6) Reel Drum Spoke Block

2. 4 REELING CABLE

2. 4. 1 REELING DRUM

- Reeling Cable Reel Drum Cable (Square, Core, ,
) Drum , Reel Drum Dead Turn,
 , , Center Position Device Junction Box
 Cable
- 1) Cable Guide Roller , Reel Drum Cable
 Gland
 - 2) Reel Drum Cable
 - 3) Guide Roller Roller Cable Cable Gland Male
 Gland Reel Drum Female Gland
 Cable Sealing Compound Sealing
 - 4) Drum Cable Clamp Bar , Cable Clamp
 (2-3mm) Cable 2-3 , Cable Clamp Bar
 - 5) Drum Terminal Block Cable
 - 6) Drum Cover



2. Reeling Cable

2. 4. 2 CABLE

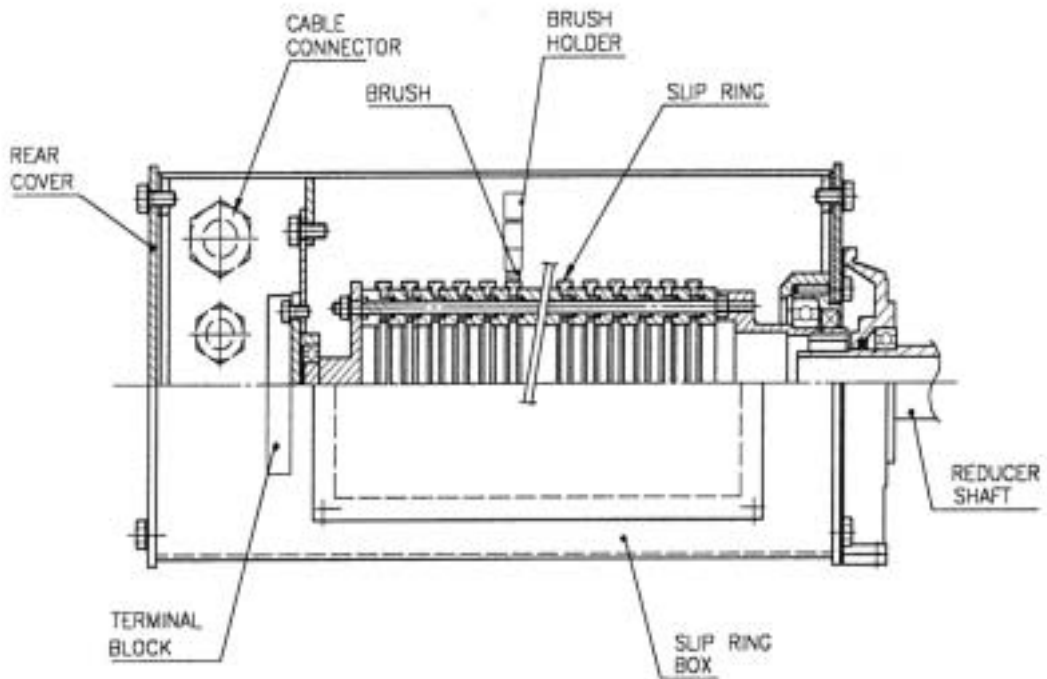
- 1) Device Drum Cable 2-4-1, 4) Center Position Cable
Clamp
- 2) Junction Box Cover , Cable Gland Junction Box
- 3) Junction Box Cable Gland
- 4) Junction Box Terminal Block Cover

2. 5 SLIP RING

- Slip Ring 12set Slip Ring Brush Holder
, 13set Slip Ring Box Terminal Block

2.5.2 SLIP RING 13SET

- 1) Slip Ring Box Rear Cover
- 2) Slip Ring Box Cable Connector , Tube
 Cable Box
- 3) Box Terminal Block Cable Rear Cover



4. Slip Ring 13set

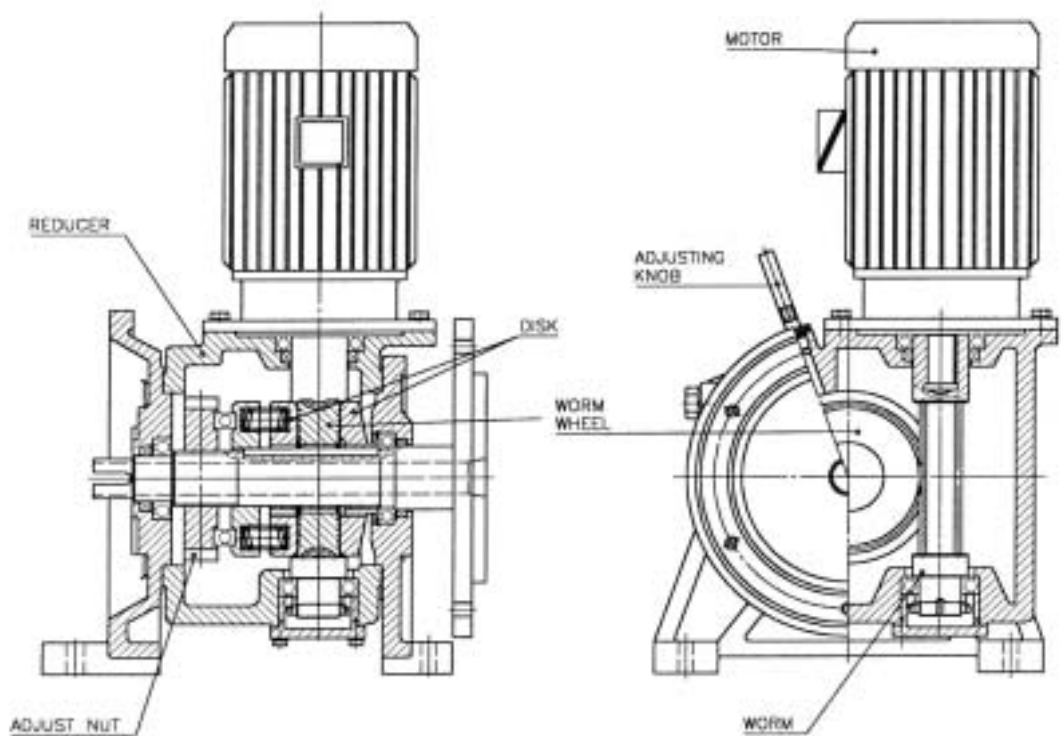
3.

- 1) Switch
- 2) (Hoisting) Reel Drum
- 3) Jog Operation () Cable Reel
 Lever Type(TL-LA) Limit S/W 가 Crane
 Limit S/W Striker Limit S/W 가
 Sequence 가
 Motor 가 Motor 가 , Slip Cable
- 4) Reel Drum Cable 가
- 5) Cable Cable
 Reducer Torque Reducer Torque
- 6) [] Cable 가 가 Cable Motor

4.

4. 1 REDUCER

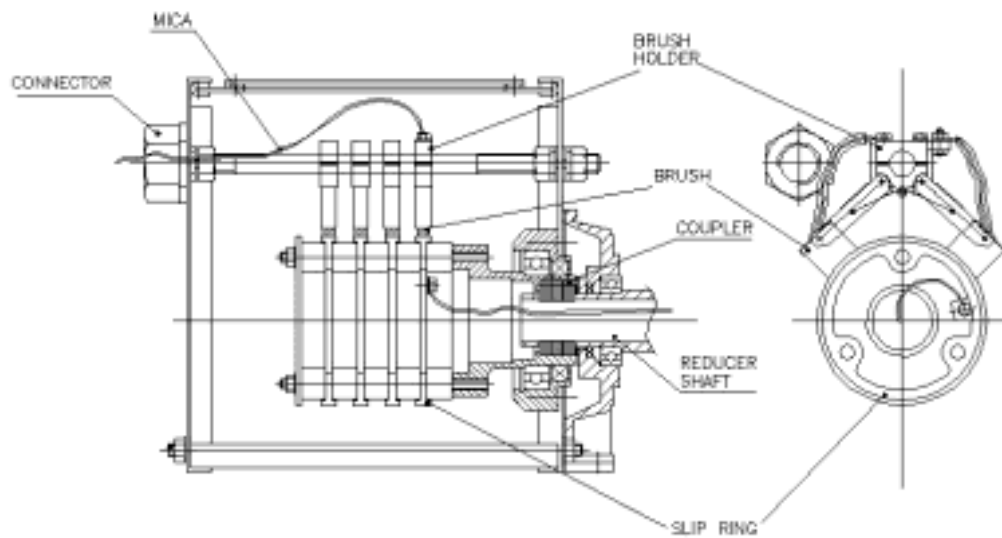
- 1) Motor Worm Worm Wheel , Worm Wheel
 Disk Cable , Cable
 Disk 가 Slip
- 2) Disk Worm Wheel Torque 가 , Nut
 가
- 3) Cable Motor , Disk Worm Wheel Slip
 Cable



5. Reducer

4. 2 SLIP RING

- 1) Cable Reducer Hollow Shaft Reel Drum Slip Ring Box
- 2) Slip Ring Reducer Shaft Coupler Slip Ring Reel Drum
- 3) Slip Ring , Slip Ring Brush
 Box Cable

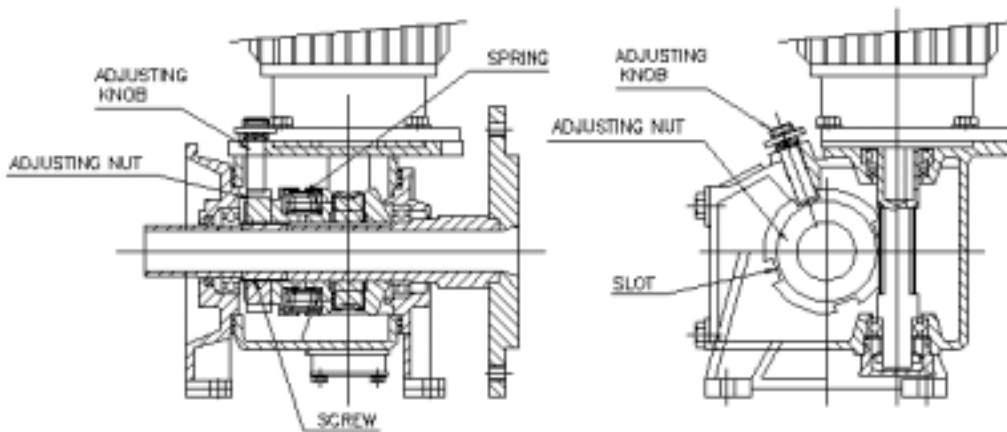


6. Slip Ring

5. TORQUE

Friction Reducer Reeling Torque Reducer Adjusting Nut
 Spring Worm Wheel Disk Torque 가
 Torque

No		
1	Cable	Torque
2	Cable	
3	Cable	Torque 가
4	가	



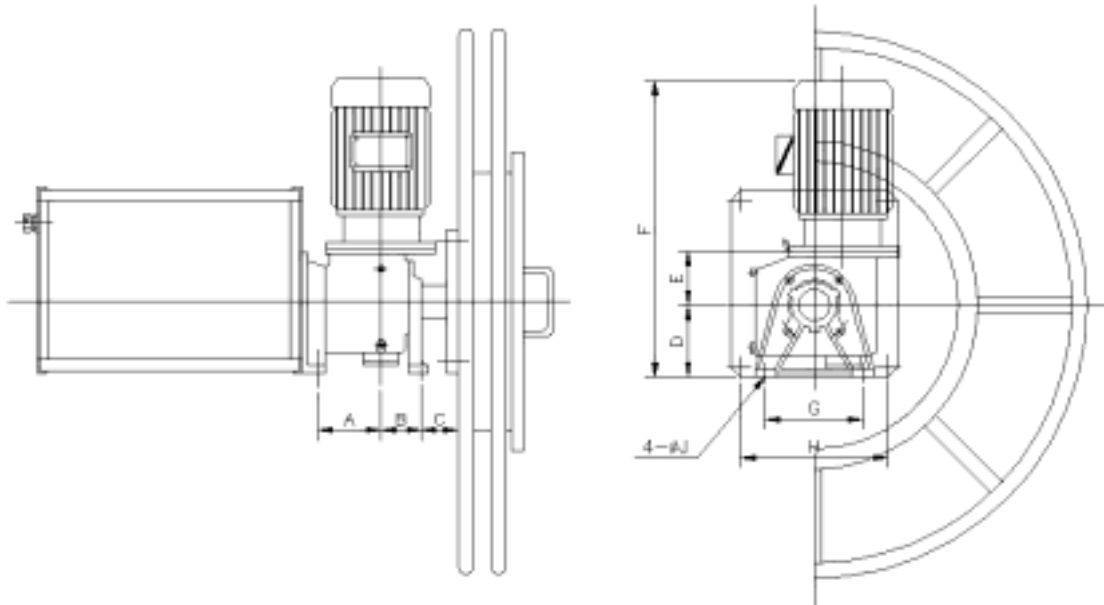
7. Torque Mechanism

6.

- 1) — Bearing Shield Type Bearing ,
- 2) Reducer Oil 3 Drain .
- 3) Drain Reducer Box Drain Plug , Oil Torque Knob Hole .
- 4)
- 5) Reducer Oil .

No			
1	Reducer Oil		
2	Slip Ring		Sand Paper
3	Brush		
4	Brush holder Spring Tension		Tension
5	Brush		
6	Slip Ring Box Reel Drum		Cover Packing Bolt Cable Connector

7. DIMENSION OF REDUCER



REDUCER	A	B	C	D	E	F	G	H	J
FM-17	110	70	64	125	93	515	170	206	12
FM-30	260	119	79	215	162	716	350	420	19

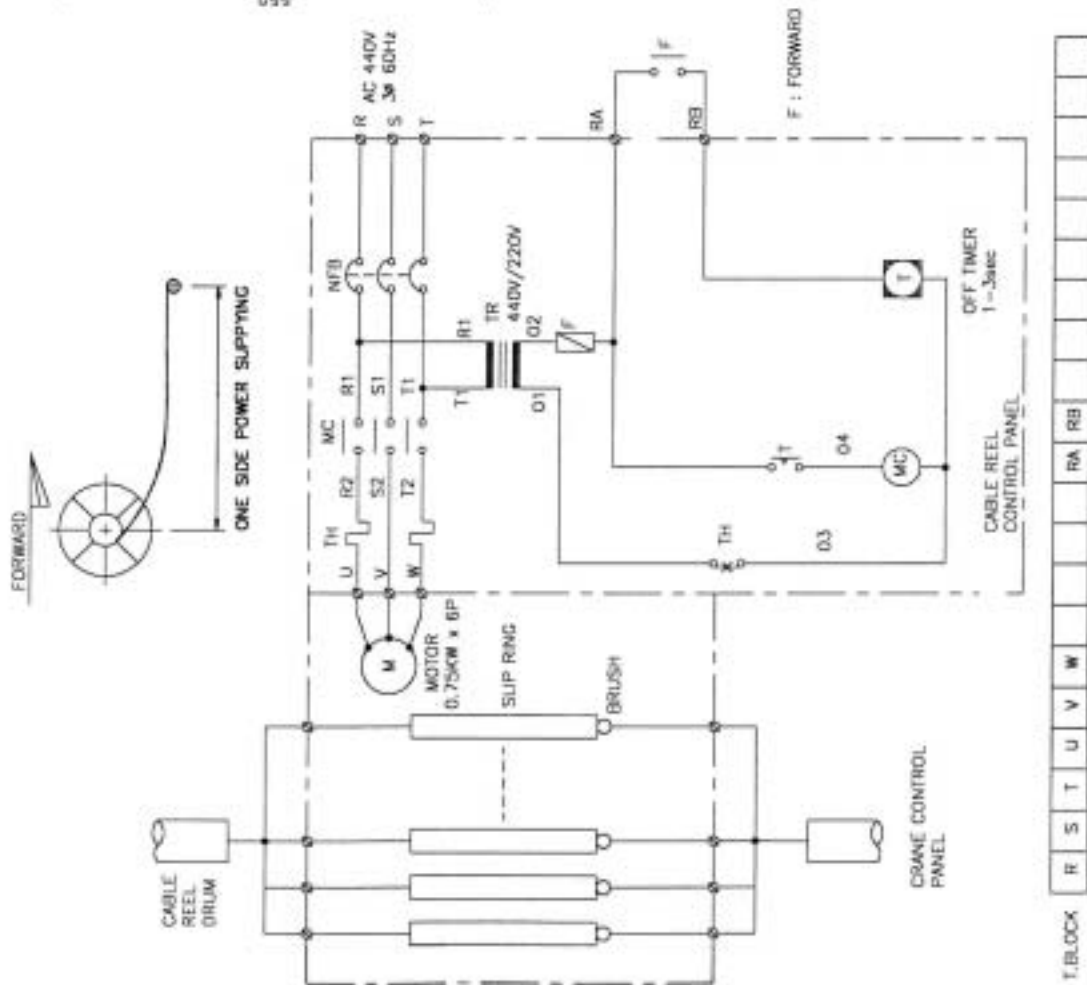
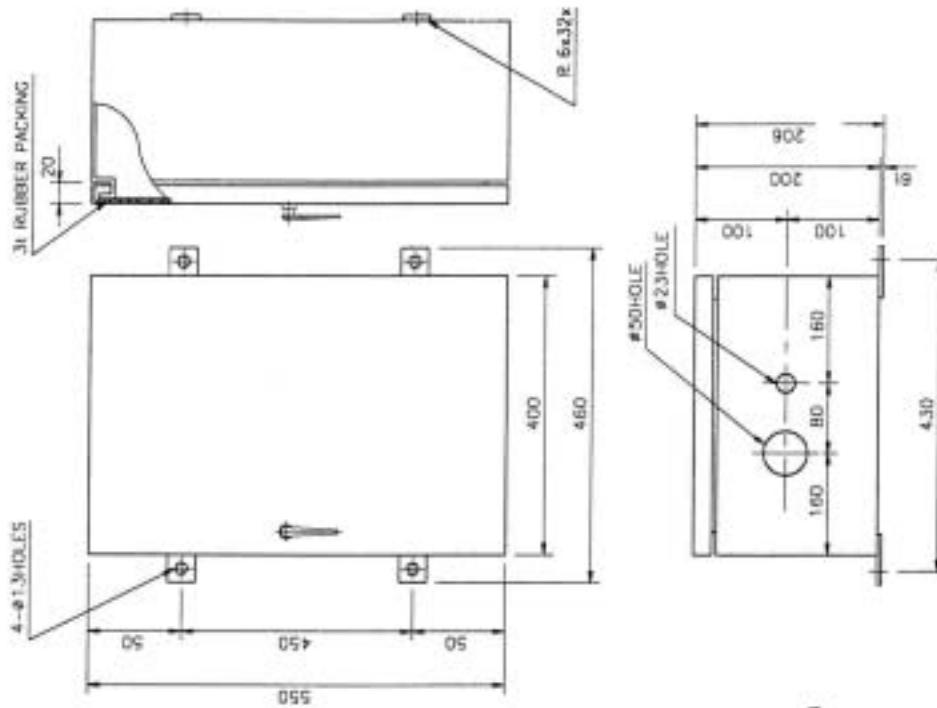
9. Dimension of Reducer

8. SEQUENCE DIAGRAM & CONTROL PANEL

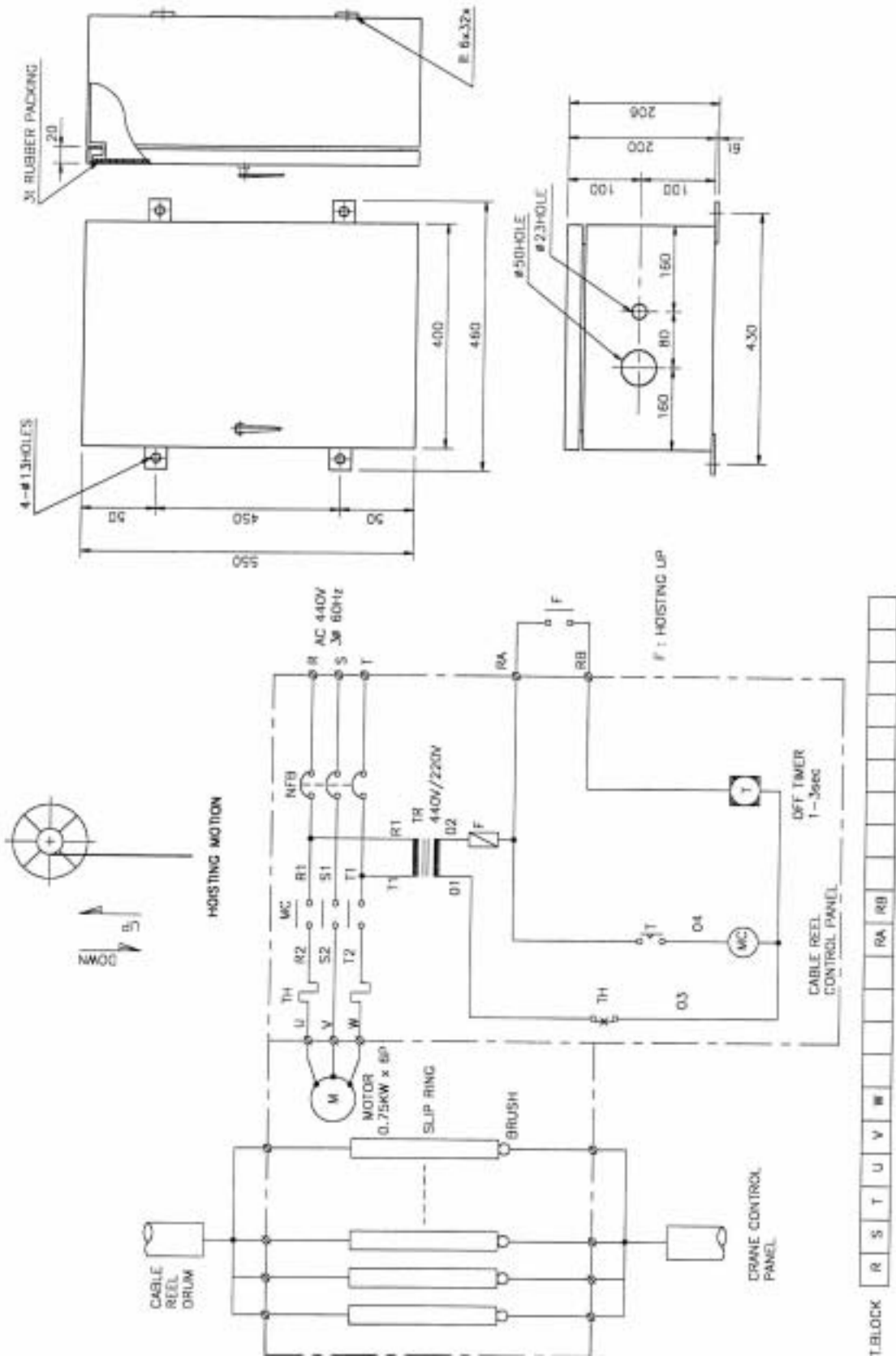
8.1 (10.)

8.2 HOISTING MOTION(11.)

8.3 (12.)



10,



11. Hoisting

